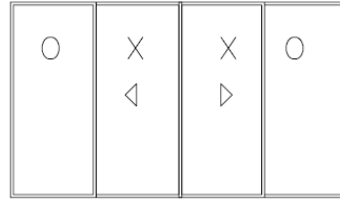


4 PANEL OXXO

SUPPLEMENTAL INSTRUCTIONS



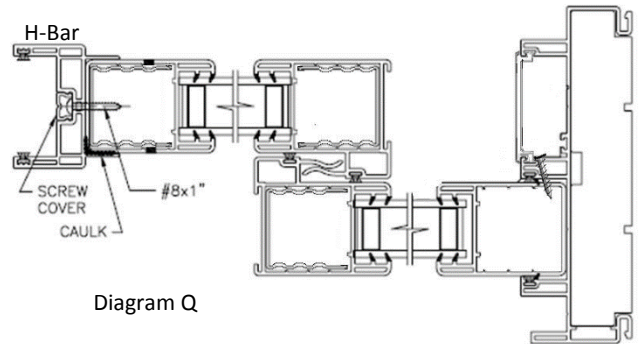
INSTALLING THE FIXED PANEL ADAPTER AND END CAP – 4 PANEL DOORS

For 4 panel doors, repeat the two-panel procedure on both sides of the door.

INSTALLING THE OPERATING PANEL OXXO

For OXXO doors, install and adjust the panels in a similar manner as two panel doors aligning the two operating panels to each other. Apply a continuous bead of caulking into the bi-parting astragal “H”- bar and push it on to the vertical rail without the cutout for the operating hardware using the #8 X 1” screws provided as shown in Diagram Q.

Insert the continuous screw cover into the side of the bi-parting astragal “H”- bar.

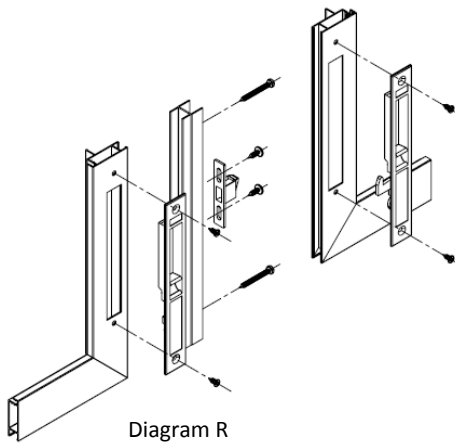


HARDWARE AND KEEPER INSTALLATION

For OXXO doors, install the locking mechanism and handles the same as a two-panel door and use the 1” screws provided to attach the keeper to the “H”- bar.

SCREEN INSTALLATION – OXXO DOORS

Load the screens into the frame as per the 2 panel door instructions. Slide the screens in the closing direction to within ¼” of each other. Visually, the joint between the two screens should be uniform from top to bottom. Using a screwdriver adjust the rollers on the bottom of the screens upwards or downwards to align the screens as shown on Diagram M. Adjust the top rollers just enough to snug the screen in the top track and allow easy rolling.



There are 2 mortise screen locks supplied with OXXO doors. Using a screwdriver, remove the striker from one of them to create a dummy lock and install this lock to one of the screens as shown on Diagram R. On this screen, attach the screen “H” bar using 4 self drilling screws.

On the other screen, install the active mortise screen lock using the factory machined holes provided with the striker hook facing upwards. Depending on the hand of the screen, it may be necessary to reverse the handing of the striker hook by removing its retaining screw, reversing the striker, and re-fastening the screw.

With the striker latch in the open position, slide the screens close to each other, mark the location of the top of the striker in the screen “H”- bar, and position the keeper within the “H”-bar so that the striker will cleanly engage the keeper. Attach the keeper to the “H”-bar using the self drilling screws provided. Ensure the latch securely holds the screens locked and adjust the keeper up or down as necessary.