



**NAILING FIN INSTALLATION CONTINUED...**

- Ø Install the horizontal nailing fin in the exterior header accessory groove as shown (Figure 5 and 6)
- Ø Use screws to fasten the vertical nailing fin to the jamb in the location shown (Figure 7)
- Ø Apply silicone behind the vertical nailing fin, along the edge where the nailing fin and jamb make contact (Figure 8)

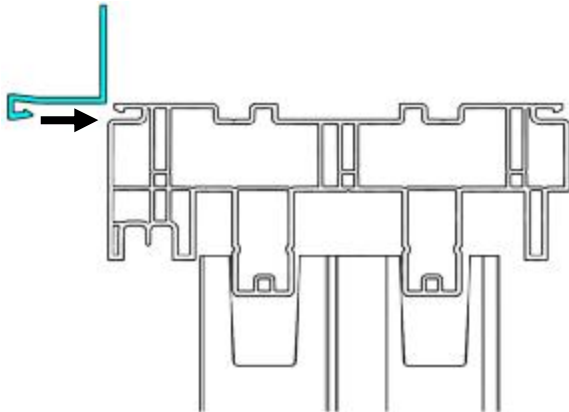


Figure 5

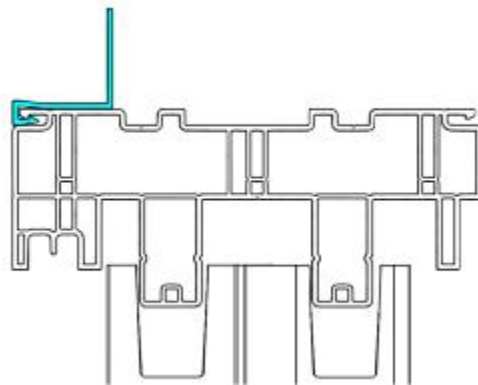


Figure 6

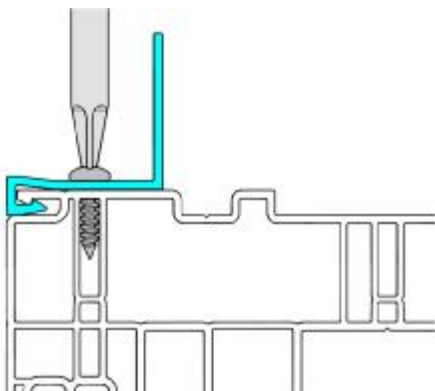


Figure 7

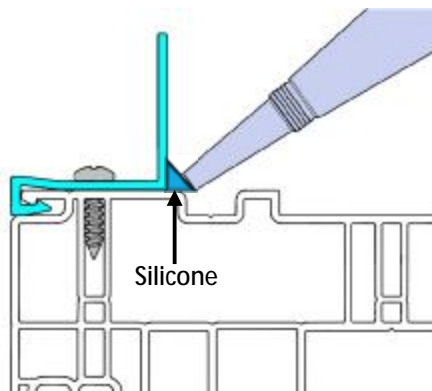


Figure 8

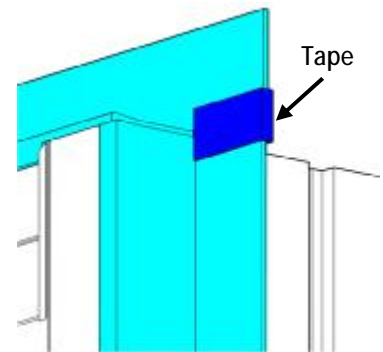


Figure 9

- Ø Apply vapour barrier sheathing tape (e.g. Tuck Tape) at the edges where the horizontal and vertical nailing fins meet

**NOTE:** The horizontal nailing fin is wider than the door width; ensure that the ends of the horizontal nailing fin align with the outermost edges of the vertical nailing fins.